

For use on:

TRULASER L SERIES 1000-8000,
TRUMATIC L SERIES 6000/7000

1.5"Ø ZnSe Lens, .291" edge thickness

Pos	Part #	Ref #	Focal Length
1	ZM15375291	346104	3.75"
	ZM15500291	088114	5"
	ZM15750291	097517	7.5"
	ZM15900291	141972	9"
	ZM15100291	350163	10"

Fused Silica Protective Windows

Pos	Part #	Dimensions
2	1614767	34mm x 5mm
	766719	30mm x 5mm

Pos	Part #	Part Name
3	124561	Nozzle ECE Copper 0.8mm
	124562	Nozzle ECE Copper 1.0mm
	966809	Nozzle ECE Copper 1.2mm
	237497	Nozzle ECE Copper 1.4mm
	237501	Nozzle ECE Copper 1.7mm
	1253211	Nozzle ECE Copper 2.0mm
	126933	Nozzle ECE Copper 2.3mm
	942742	Nozzle ECE Copper 2.7mm
	4	352280

PRECISION MANUFACTURING

Strict inspections are applied using high-quality equipment at the floor level on CNC and milling machines then delivered to our final inspection department. All parts are hand-polished and packaged with gloves.

Thousands of parts in stock.

Learn more at:

americantorchtip.com/products/lasertec

Pos	Part #	Part Name	
4	352281	Nozzle ECE Chrome-Plated 1.0mm	
	352282	Nozzle ECE Chrome-Plated 1.2mm	
	352283	Nozzle ECE Chrome-Plated 1.4mm	
	352284	Nozzle ECE Chrome-Plated 1.7mm	
	1253212	Nozzle ECE Chrome-Plated 2.0mm	
	352285	Nozzle ECE Chrome-Plated 2.3mm	
	352286	Nozzle ECE Chrome-Plated 2.7mm	
	5	256153	Cover Cap
	6	260432	Ceramic Nozzle Holder

AMERICAN TORCH TIP®

6212 29th Street East, Bradenton, FL

P: 941-753-7557

E: Sales@attcusa.com

AmericanTorchTip.com

† American Torch Tip Company is in no way affiliated with the above-named manufacturer(s).

References to the above-named machines, torches and numbers are for your convenience

only. American Torch Tip is not necessarily authorized by the above-named manufacturer(s) to

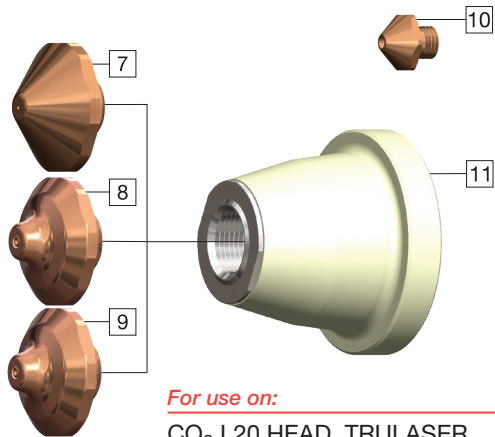
provide replacement parts. Most parts advertised for sale are made by, or for, American Torch

Tip Company and other parts, as indicated, are original parts manufactured by the above-named

OEM and are simply being resold by American Torch Tip Company. Part numbers followed by an

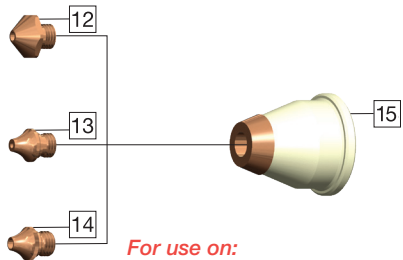
* are manufactured by the respective OEM.





For use on:

CO₂ L20 HEAD, TRULASER
FIBER L20 SERIES 1000-7000



For use on:

TRULASER L 7040 CELL 3D,
TRULASER TUBE 5000/7000,
TUBEMATIC, TLC1005,
3D FIBER LASER

Pos	Part #	Part Name
7	1324858	Nozzle EAA Performance 0.8mm
	1324860	Nozzle EAA Performance 1.0mm
	1324861	Nozzle EAA Performance 1.2mm
	1324863	Nozzle EAA Performance 1.4mm
	1324864	Nozzle EAA Performance 1.7mm
	1324865	Nozzle EAA Performance 2.0mm
	1324866	Nozzle EAA Performance 2.3mm
	1324867	Nozzle EAA Performance 2.7mm
8	2059462	Nozzle EAU Performance 2.5mm
	2060001	Nozzle EAU Performance 3.0mm
	2060004	Nozzle EAU Performance 4.0mm
	2060025	Nozzle EAU Performance 6.0mm
	2253595	Nozzle EAU Performance 10.0mm

Pos	Part #	Part Name
12	1354230	Nozzle EBD 0.8mm
	212334	Nozzle EBD 1.0mm
	1479581	Nozzle EBD 1.2mm
	216199	Nozzle EBD 1.4mm
	225213	Nozzle EBD 1.7mm
	1487009	Nozzle EBD 2.0mm
	126156	Nozzle EBD 2.3mm
13	913799	Nozzle EBG Slim 0.8mm
	913800	Nozzle EBG Slim 1.0mm
	1487034	Nozzle EBG Slim 1.2mm

Pos	Part #	Part Name
9	1579549	Nozzle BrightLine EAK 2.5mm
	1579556	Nozzle BrightLine EAK 3.0mm
	1633046	Nozzle BrightLine EAC 5.3mm
	1664569	Nozzle BrightLine EAN 1.7mm
	1664602	Nozzle BrightLine EAN 2.0mm
	1664625	Nozzle BrightLine EAN 2.5mm
	1809091	Nozzle BrightLine EAQ 6.0mm
	1809421	Nozzle BrightLine EAQ 7.5mm
	1835747	Nozzle BrightLine EAQ 4.0mm
	1886199	Nozzle BrightLine EAQ 9.5mm
10	1384753	Crossjet Nozzle 2.0mm
11	1755673	Ceramic Nozzle Holder

Pos	Part #	Part Name
13	913801	Nozzle EBG Slim 1.4mm
	937988	Nozzle EBG Slim 1.7mm
	1487036	Nozzle EBG Slim 2.0mm
	937989	Nozzle EBG Slim 2.3mm
	2241407	Nozzle EBC X12 1.8mm
14	2085524	Nozzle EBC X20 2.6mm
	2241406	Nozzle EBC X31 1.6mm
	2241524	Nozzle EBC X35 2.6mm
	2241409	Nozzle EBC X40 2.0mm
15	936678	Ceramic Nozzle Holder

AMERICAN TORCH TIP®

6212 29th Street East, Bradenton, FL

P: 941-753-7557

E: Sales@attcusa.com

AmericanTorchTip.com

† American Torch Tip Company is in no way affiliated with the above-named manufacturer(s). References to the above-named machines, torches and numbers are for your convenience only. American Torch Tip is not necessarily authorized by the above-named manufacturer(s) to provide replacement parts. Most parts advertised for sale are made by, or for, American Torch Tip Company and other parts, as indicated, are original parts manufactured by the above-named OEM and are simply being resold by American Torch Tip Company. Part numbers followed by an * are manufactured by the respective OEM.

