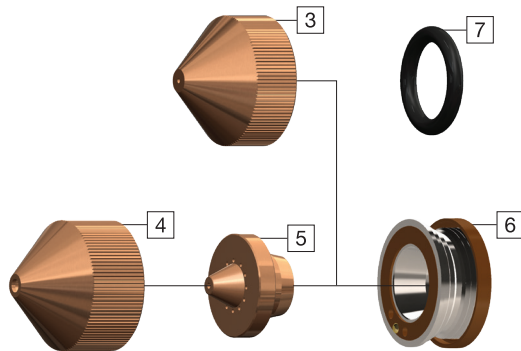


Pos	Part #	Ref #	Part Name
1	ZC20500310	W505	2.0"Ø ZnSe Lens, .310" edge thickness, 5.0" focal length
	ZC20750310	W510	2.0"Ø ZnSe Lens, .310" edge thickness, 7.0" focal length
2	632336-117		25.4mm x 4mm Fused Silica Protective Window
	633744-137		50mm x 8mm Fused Silica Protective Window



Pos	Part #	Part Name
3	W1626C	Single Nozzle 1.0mm
	W1627C	Single Nozzle 1.2mm
	W1628	Single Nozzle 1.5mm
	W1661	Single Nozzle 1.7mm
	W1629	Single Nozzle 2.0mm
	W1630	Single Nozzle 2.5mm
	W1664	Single Nozzle 3.0mm
	W1665	Single Nozzle 3.5mm
	W1666	Single Nozzle 4.0mm
	W1662	Single Nozzle 4.5mm
	W1663	Single Nozzle 5.0mm

Pos	Part #	Part Name
4	W269 / W269-S	Double Nozzle - Outer
5	W390	Nozzle inner 4 holes, 1.3mm
	W270	Nozzle inner 8 holes, 1.3mm
	W270-2.0	Nozzle inner 8 holes, 2.0mm
	W387	Nozzle inner 12 holes, 1.3mm
	W388	Nozzle inner 16 holes, 1.3mm
6	W389	Nozzle inner 20 holes, 1.3mm
	W515	Nozzle inner 24 holes, 1.5mm
6	P0594-860-00001	Short Insulator for LV
7	W290	O-ring 4DP16

AMERICAN TORCH TIP®

6212 29th Street East, Bradenton, FL

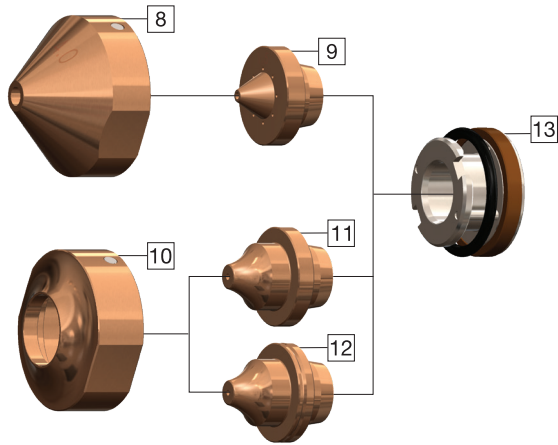
941-753-7557

Sales@attcusa.com

AmericanTorchTip.com

† American Torch Tip Company is in no way affiliated with the above-named manufacturer(s). References to the above-named machines, torches and numbers are for your convenience only. American Torch Tip is not necessarily authorized by the above-named manufacturer(s) to provide replacement parts. Most parts advertised for sale are made by, or for, American Torch Tip Company and other parts, as indicated, are original parts manufactured by the above-named OEM and are simply being resold by American Torch Tip Company. Part numbers followed by an * are manufactured by the respective OEM.





Pos	Part #	Part Name	
8	BQ980D434G15	Nozzle EX outer, 1.5mm	
	BQ980D434G20	Nozzle EX outer, 2.0mm	
	BQ980D434G25	Nozzle EX outer, 2.5mm	
	BQ980D434G30	Nozzle EX outer, 3.0mm	
	BQ980D434G35	Nozzle EX outer, 3.5mm	
	BQ980D434G01	Nozzle EX outer, (thick) 4.0mm	
	BQ980D442G03	Nozzle EX outer, 4.0mm	
	BQ980D442G01	Nozzle EX outer, 7.0mm	
	9	BQ983D206H00	Nozzle EX inner 3 holes w/ o-ring, 1.5mm
		BQ983D206H01	Nozzle EX inner 4 holes w/ o-ring, 1.5mm
BQ983D206H02		Nozzle EX inner 6 holes w/ o-ring, 1.5mm	
BQ983D206H03		Nozzle EX inner 8 holes w/ o-ring, 1.5mm	
BQ983D206H04		Nozzle EX inner 24 holes w/ o-ring, 1.5mm	
BQ983D206H10		Nozzle EX inner 3 holes w/ o-ring, 2.0mm	

Pos	Part #	Part Name
9	BQ983D206H11	Nozzle EX inner 4 holes w/ o-ring, 2.0mm
	BQ983D206H12	Nozzle EX inner 6 holes w/ o-ring, 2.0mm
	BQ983D206H14	Nozzle EX inner 24 holes w/ o-ring, 2.0mm
10	BQ980D328G01	Nozzle EX outer for Single Nozzle
11	BQ983D150-H01	Nozzle w/ o-ring, 1.0mm
	BQ983D314-H01	Nozzle w/ o-ring, 1.4mm
12	BQ983D151-H01	Nozzle w/ o-ring, 1.2mm
	BQ983D152-H01	Nozzle w/ o-ring, 1.7mm
	BQ983D153-H01	Nozzle w/ o-ring, 1.5mm
	BQ983D153-H02	Nozzle w/ o-ring, 2.0mm
	BQ983D153-H03	Nozzle w/ o-ring, 2.5mm
	BQ983D153-H04	Nozzle w/ o-ring, 3.0mm
	BQ983D153-H05	Nozzle w/ o-ring, 3.5mm
13	BQ980D311G02	Nozzle Holder, EX insulation

PRECISION MANUFACTURING

Strict inspections are applied using high-quality equipment at the floor level on CNC and milling machines then delivered to our final inspection department. All parts are hand-polished and packaged with gloves.

Thousands of parts in stock.

Learn more at:

americantorchtip.com/products/lasertec

AMERICAN TORCH TIP®

6212 29th Street East, Bradenton, FL

941-753-7557

Sales@attcusa.com

AmericanTorchTip.com

† American Torch Tip Company is in no way affiliated with the above-named manufacturer(s). References to the above-named machines, torches and numbers are for your convenience only. American Torch Tip is not necessarily authorized by the above-named manufacturer(s) to provide replacement parts. Most parts advertised for sale are made by, or for, American Torch Tip Company and other parts, as indicated, are original parts manufactured by the above-named OEM and are simply being resold by American Torch Tip Company. Part numbers followed by an * are manufactured by the respective OEM.

